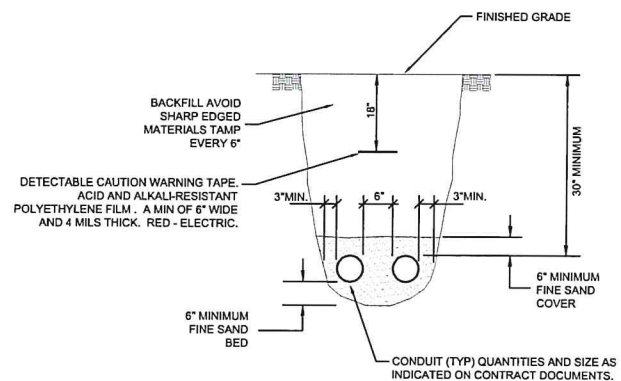
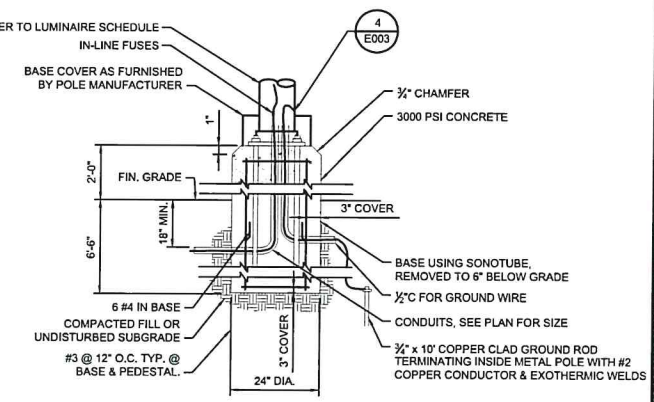


RECEIVED

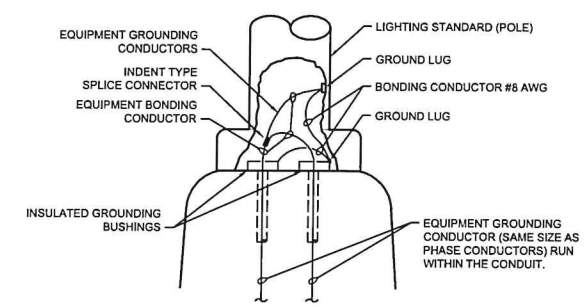
3 pp
 JUN 2 2022
 11:50am
 TOWN CLERKS OFFICE
 TOWN OF LISBON
 Laurie Turecki



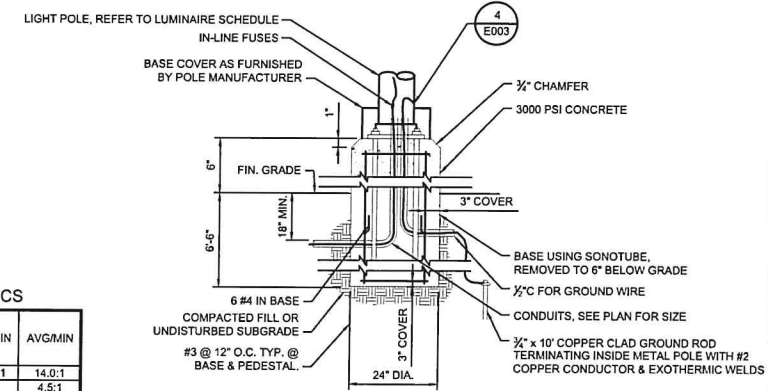
2 Electrical Trench Detail
 SCALE: N.T.S.



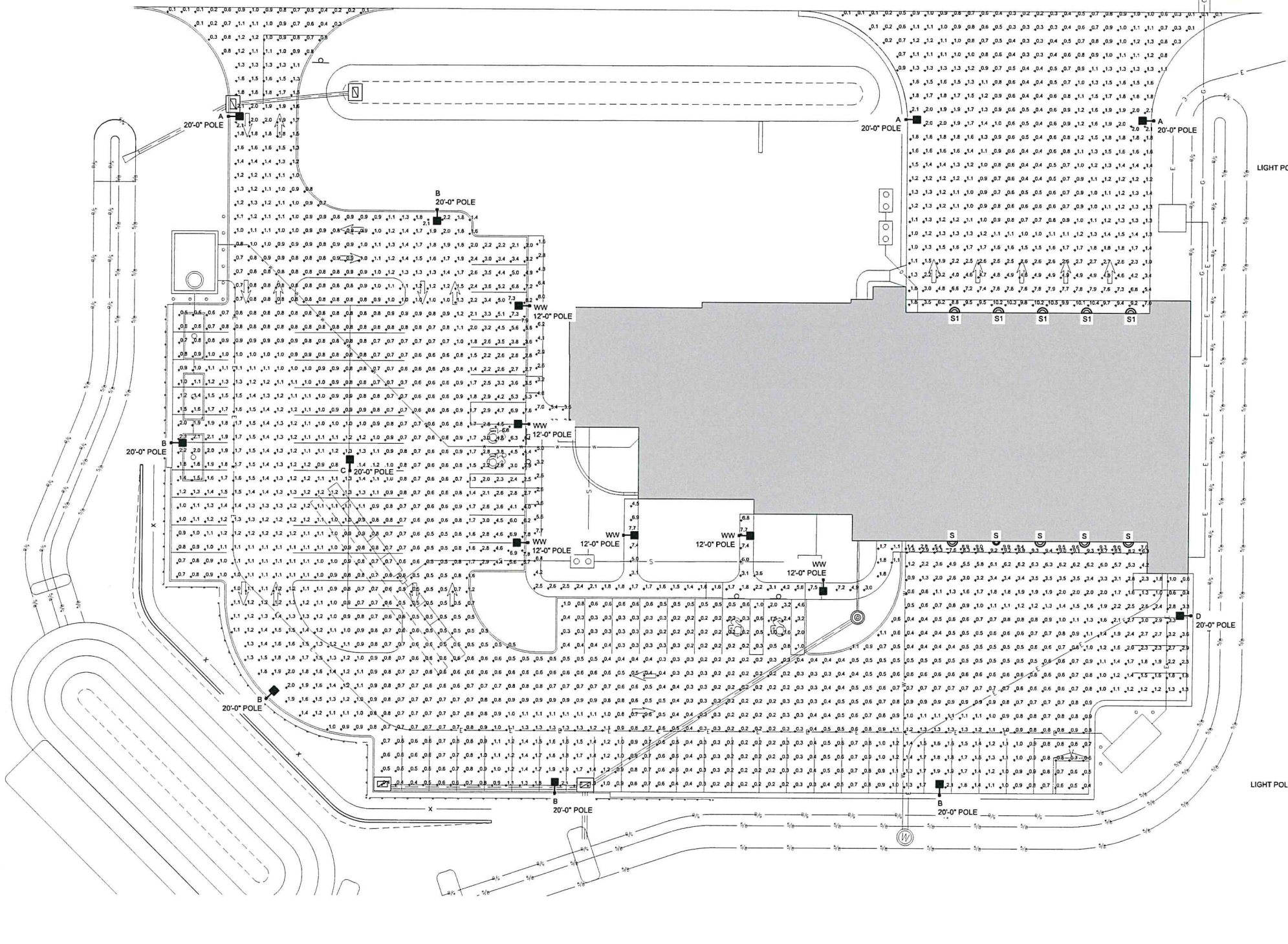
3 Site Lighting Parking Lot Pole Detail
 SCALE: 5



5 Grounding + Bonding Detail for Lighting Standard
 SCALE: 4



6 Site Lighting Walkway Pole Detail
 SCALE: 5



PHOTOMETRIC STATISTICS

DESCRIPTION	LUMINAIRES	TOTAL POWER	AREA	POWER DENSITY	PERIMETER
DRIVE AREA	10	540.0W	52195.1 FT ²	0.01W/FT ²	2023.6 FT
WALKWAY	11	550.0W	2277.9 FT ²	0.2W/FT ²	860.8 FT

3 Power Density Statistics
 SCALE: N.T.S.

PHOTOMETRIC STATISTICS

DESCRIPTION	AVG	MAX	MIN	MAX/MIN	AVG/MIN
DRIVE AREA	1.4FC	10.5FC	0.1FC	105.0:1	14.0:1
WALKWAY	4.9FC	10.1FC	1.1FC	9.2:1	4.5:1

2 Photometric Statistics
 SCALE: N.T.S.

MA
MITCHELL ASSOCIATES ARCHITECTS PLLC
 29 THACHER PARK ROAD
 VOORHEESVILLE, NY 12184
 (518) 745-4571 FAX: (518) 745-2150
 WWW.MITCHELL-ARCHITECTS.COM

EMERGENCY SERVICE FACILITIES

CONSULTANTS:
CRAIG A. MALONEY, P.E.
 STRUCTURAL ENGINEER
 3 BENEDICT COURT
 BALLSTON SPA, NY 12020
 (518) 584-9144 FAX: (518) 584-9144
 C.MALONEY@NYCAP.RR.COM

MH PROFESSIONAL ENGINEERING, PLLC
 ME & P ENGINEER
 5 CORPORATE DRIVE
 CLIFTON PARK, NY 12045
 (518) 280-1522 FAX: (518) 280-1524

CLA ENGINEERS, INC.
 CIVIL ENGINEER
 317 MAIN STREET
 NORWICH, CT 06250
 (860) 884-1144 FAX: (860) 884-1145

PROGRESS NOT FOR CONSTRUCTION

COPYRIGHT 2021
 MITCHELL ASSOCIATES ARCHITECTS
 UNAUTHORIZED ALTERATION OR ADDITION
 TO THIS DOCUMENT IS A VIOLATION OF LAW

LISBON FIRE DEPARTMENT HEADQUARTERS BUILDING

25 NEUNET ROAD
 LISBON, CT 06351

REVISION HISTORY

DATE	DESCRIPTION

ELECTRICAL SITE PHOTOMETRIC PLAN

SCALE: AS NOTED
 DWG. BY: JRM
 DWG. DATE: 05/04/2022
 STATUS: DESIGN DEVELOPMENT

E003
 PLOT TIME: *PLTIME

D-Series Size 1 LED Area Luminaire

Ordering Information EXAMPLE: DSX1 LED P7 40K T3M MVOLT SPA NLTAR2 PIRHN DDBXK

Series	LEDs	Color Temperature	Distribution	Mounting	Shipping
DSX1 LED	Forward optics	30K 3000K	T15 Type I short (Automated)	T15V Type V very short	950/17
	P2 P3 P4 P5	40K 4000K	T25 Type II short	T25V Type V short	120/1
	P7 P8 P9	50K 5000K	T25 Type II short	T25V Type V short	120/1

Specifications
 EPA: 1.01 ft² (9.3 m²)
 Length: 33" (83.8 cm)
 Width: 13" (33.0 cm)
 Height H1: 7-1/2" (19.0 cm)
 Height H2: 3-1/2" (8.9 cm)
 Weight (max): 27 lbs (12.2 kg)

Introduction
 The modern styling of the D-Series is striking yet unobtrusive - making a bold, progressive statement even as it blends seamlessly with its environment. The D-Series distills the benefits of the latest in LED technology into a high performance, high efficacy, long-life luminaire. The outstanding photometric performance results in sites with excellent uniformity, greater pole spacing and lower power density. It is ideal for replacing up to 750W metal halide in pedestrian and area lighting applications with typical energy savings of 65% and expected service life of over 100,000 hours.

D-Series Size 1 LED Area Luminaire

Ordering Information EXAMPLE: DSX1 LED P7 40K T3M MVOLT SPA NLTAR2 PIRHN DDBXK

Series	LEDs	Color Temperature	Distribution	Mounting	Shipping
DSX1 LED	Forward optics	30K 3000K	T15 Type I short (Automated)	T15V Type V very short	950/17
	P2 P3 P4 P5	40K 4000K	T25 Type II short	T25V Type V short	120/1
	P7 P8 P9	50K 5000K	T25 Type II short	T25V Type V short	120/1

Specifications
 EPA: 1.01 ft² (9.3 m²)
 Length: 33" (83.8 cm)
 Width: 13" (33.0 cm)
 Height H1: 7-1/2" (19.0 cm)
 Height H2: 3-1/2" (8.9 cm)
 Weight (max): 27 lbs (12.2 kg)

Introduction
 The modern styling of the D-Series is striking yet unobtrusive - making a bold, progressive statement even as it blends seamlessly with its environment. The D-Series distills the benefits of the latest in LED technology into a high performance, high efficacy, long-life luminaire. The outstanding photometric performance results in sites with excellent uniformity, greater pole spacing and lower power density. It is ideal for replacing up to 750W metal halide in pedestrian and area lighting applications with typical energy savings of 65% and expected service life of over 100,000 hours.

D-Series Size 1 LED Area Luminaire

Ordering Information EXAMPLE: DSX1 LED P7 40K T3M MVOLT SPA NLTAR2 PIRHN DDBXK

Series	LEDs	Color Temperature	Distribution	Mounting	Shipping
DSX1 LED	Forward optics	30K 3000K	T15 Type I short (Automated)	T15V Type V very short	950/17
	P2 P3 P4 P5	40K 4000K	T25 Type II short	T25V Type V short	120/1
	P7 P8 P9	50K 5000K	T25 Type II short	T25V Type V short	120/1

Specifications
 EPA: 1.01 ft² (9.3 m²)
 Length: 33" (83.8 cm)
 Width: 13" (33.0 cm)
 Height H1: 7-1/2" (19.0 cm)
 Height H2: 3-1/2" (8.9 cm)
 Weight (max): 27 lbs (12.2 kg)

Introduction
 The modern styling of the D-Series is striking yet unobtrusive - making a bold, progressive statement even as it blends seamlessly with its environment. The D-Series distills the benefits of the latest in LED technology into a high performance, high efficacy, long-life luminaire. The outstanding photometric performance results in sites with excellent uniformity, greater pole spacing and lower power density. It is ideal for replacing up to 750W metal halide in pedestrian and area lighting applications with typical energy savings of 65% and expected service life of over 100,000 hours.

SSA SQUARE STRAIGHT ALUMINUM

Anchor Base Poles

FEATURES & SPECIFICATIONS
INTENDED USE — These specifications are for USA standard only. Square Straight Aluminum is a general purpose light pole for up to 35-foot mounting heights. This pole provides a lighter and naturally corrosion-resistant option for mounting area light fixtures and floodlights.
CONSTRUCTION — Pole shaft: The pole shaft is of uniform wall thickness and is made of extruded 6061 series aluminum alloy tubing that is heat treated for a 58 temper to provide maximum strength. The shaft is uniformly square in cross-section with flat sides, small corner radii and excellent torsional qualities. Available shaft widths are 4", 5", 6" and 8".
Pole Top Options include: top cap, drilled for site mount fixture, boom with drilling (includes extra hardware and open top). A cast aluminum top cap is provided for all poles that will receive drilling patterns for site-mount luminaire arm assemblies or when ordered with open top (PT) option. The top cap resists intrusion of moisture and environmental contaminants.
Hardware: A hardware opening with grommet provision is provided near the base. Standard positioning wires with dual ends are included. 4" shaft, handle at 12", 5" shaft, handle at 14", 6" shaft, handle at 17" on side A. Positioning the handle lower than standard may not be possible and requires engineering review. Consult Tech Support for further information. Standard and extra hardware comes with cover and attachment hardware. The handle for pole specified with 4" shaft has an external diameter of 2 1/4" x 4"; the handle for a pole specified with 6" or 8" shaft has a nominal diameter of 2.875" x 4". Standard and extra hardware comes with cover and attachment hardware.
Ball Caps/Beam Covers: Field base poles utilize cast aluminum AKS1 ball caps to cover anchor bolts and nut assembly. Square aluminum covers available as an option.
Anchor Base Bolts: Anchor base is cast from 356 alloy aluminum. Anchor bolts are manufactured to ASTM F1554 Standard Grade 35. (53 KSI minimum yield strength and tensile strength of 75.95 KSI). Upper portion of anchor bolt is galvanized per ASTM A-153; both have an "L" bend on bottom end and are galvanized a minimum of 12" on the threaded end.
HARDWARE — All structural and non-structural fasteners are stainless steel.
FINISH — Extra durable painted finish is coated with TGK (Thermally Coagulated) Polyester powder that meets SA and IS classifications of ASTM D3359. Standard powder coat finishes include Dark Bronze, White, Black, and Natural Aluminum colors. Other finishes include Brushed Aluminum, and Anodized Dark Bronze, Anodized Natural Aluminum and Anodized Black. Architectural Colors and Special Finishes are available by quote and include, but are not limited to: Red, Green, Custom Colors and Glossed Marquise Finishes.
INSTALLATION — The wall mount poles without having fixtures installed. Factory supplied templates must be used when setting anchor bolts. Lithonia Lighting will not accept claim for incorrect anchorage placement due to failure to use Lithonia Lighting factory templates. If poles are stored outside, all protective wrapping must be removed immediately upon delivery to prevent finish damage. Lithonia Lighting is not responsible for the foundation design.
WARRANTY — 1-year limited warranty. Complete warranty terms located at: www.lithonia.com/resources/warranty-terms-and-conditions
NOTE: Actual performance may differ as a result of end use environment and application. Specifications subject to change without notice.

Ordering Information EXAMPLE: SSA-20-DM19AS-UL-NEC-FINISH1

Specifications
 EPA: 1.01 ft² (9.3 m²)
 Length: 33" (83.8 cm)
 Width: 13" (33.0 cm)
 Height H1: 7-1/2" (19.0 cm)
 Height H2: 3-1/2" (8.9 cm)
 Weight (max): 27 lbs (12.2 kg)

D-Series Size 1 LED Area Luminaire

Ordering Information EXAMPLE: DSX1 LED P7 40K T3M MVOLT SPA NLTAR2 PIRHN DDBXK

Series	LEDs	Color Temperature	Distribution	Mounting	Shipping
DSX1 LED	Forward optics	30K 3000K	T15 Type I short (Automated)	T15V Type V very short	950/17
	P2 P3 P4 P5	40K 4000K	T25 Type II short	T25V Type V short	120/1
	P7 P8 P9	50K 5000K	T25 Type II short	T25V Type V short	120/1

Specifications
 EPA: 1.01 ft² (9.3 m²)
 Length: 33" (83.8 cm)
 Width: 13" (33.0 cm)
 Height H1: 7-1/2" (19.0 cm)
 Height H2: 3-1/2" (8.9 cm)
 Weight (max): 27 lbs (12.2 kg)

Introduction
 The modern styling of the D-Series is striking yet unobtrusive - making a bold, progressive statement even as it blends seamlessly with its environment. The D-Series distills the benefits of the latest in LED technology into a high performance, high efficacy, long-life luminaire. The outstanding photometric performance results in sites with excellent uniformity, greater pole spacing and lower power density. It is ideal for replacing up to 750W metal halide in pedestrian and area lighting applications with typical energy savings of 65% and expected service life of over 100,000 hours.

OWP-FC-116-LED LED Slimline Full Cut-Off Wall Pack Series

up to 40 Wattage / up to 5000 Lumens

Applications: Slim wall pack is available in two sizes for a variety of applications including building perimeter, entrances, stairways and security lighting. OWP series luminaires provides a low profile architectural style with the power of bright, energy efficient LEDs. It has a rugged aluminum construction with multi-mount capabilities. 0° to 90° tilt adjustments. For a building that has a modern or futuristic look.

Features:
Construction: Sealed die-casting profile for outdoor applications. Suitable for applications requiring 3G testing prescribed by ANSI C136.31.
Optics: Light engines are available in standard 3000K/4000K and 5000K (70 CRI) configurations. Available Lumen Packages from 3,500 to 10,000 Lumens. UV coated at lens provide outstanding performance, uniformity and glare control.
Electrical: Standard drivers feature electronic universal voltage (120-277V 50/60Hz) operation. Greater than 0.9 power factor, less than 20% harmonic distortion, and is suitable for operation in -40°C to 40°C ambient environments.
Lifespan: Estimated 50,000-hour LED lifespan based on IES LM-80 results and TM-21 calculations.
Warranty: Five-year warranty.
Applications: Security, pathway and perimeter lighting. Building entryways and walkways.

Specifications:
 LUMENS: 3500 / 5000 Lumens
 WATTAGE: 27W / 40W
 CCT: 30K, 40K, 50K
 CRI: 70
 DIMMING: 0-10V Dimming
 LIGHT EFFICIENCY: 128 lumens/watt
 VOLTAGE: 120-277 VAC
 POWER FREQUENCY: 50/60 Hz
 FINISH: Bronze, Black, White
 APPLICABLE ENVIRONMENT: Dry/Damp/Wet location
 WORKING TEMPERATURE: 40°C to 45°C

Ordering Guide Example: OWP-FC-116-LED-5000L-MVOLT-40K-BZ

Series OWP-FC-116-LED
Performance 300K 3000K Lumens 4000K 4000K Lumens 5000K 5000K Lumens
Dimming 0-10V
Voltage 120V
CCT 30K 40K 50K
Finish BZ - Bronze BK - Black WH - White
Accessories N/A



MITCHELL ASSOCIATES ARCHITECTS PLLC
 29 THACHER PARK ROAD
 VORHEESVILLE, NY 12184
 (518) 745-1571 FAX: (518) 745-2150
 WWW.MITCHELL-ARCHITECTS.COM

EMERGENCY SERVICE FACILITIES

CONSULTANTS:
CRAIG A. MALONEY, P.E.
 STRUCTURAL ENGINEER
 3 BENEDICT COURT
 CLIFTON PARK, NY 12025
 (518) 584-1944 FAX: (518) 584-1944
 CAMALONEY@NYCAP.RR.COM

MH PROFESSIONAL ENGINEERING, PLLC
 ME & P ENGINEER
 5 CORPORATE DRIVE
 CLIFTON PARK, NY 12025
 (518) 280-4522 FAX: (518) 280-4524

CLA ENGINEERS, INC.
 CIVIL ENGINEER
 317 MAIN STREET
 NORWICH, CT 06250
 (860) 886-1944 FAX: (860) 886-9145

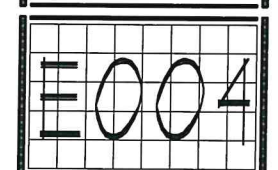
PROGRESS NOT FOR CONSTRUCTION

COPYRIGHT 2021 MITCHELL ASSOCIATES ARCHITECTS UNAUTHORIZED ALTERATION OR ADDITION TO THIS DOCUMENT IS A VIOLATION OF LAW

LISBON FIRE DEPARTMENT HEADQUARTERS BUILDING
 25 NEUNET ROAD
 LISBON, CT 06351

REVISION HISTORY	DATE	DESCRIPTION

ELECTRICAL SITE PHOTOMETRIC DETAILS
 SCALE: AS NOTED
 DWG. BY: JRM
 DWG. DATE: 05/06/2022
 STATUS: DESIGN DEVELOPMENT



CANARM LTD.
 PO Box 367, 2157 Parkedale Avenue, Brockville, Ontario K6V5V6
 Tel: 613-342-5424 | Fax: 1-800-263-4598
 2555 Rue Bernard Lefebvre, Lével, Québec H7C 0A5
 Tel: 1-450-655-2535 | Fax: 1-450-655-0910
 806 Commerce Park Drive, Odessa, New York, USA 13669
 Tel: 1-800-267-4427 | Fax: 1-800-263-4598
 www.canarm.com


MARCELLA Outdoor Light

part # IOL322BK

General
 Size of fixture: 9" W x 7 1/4" H x 10" D
 Finish: matte black
 Glass: glass diffuser
 Glass size: 8 1/2" diameter
 Canopy size: 5" diameter
 Lamping: 1 x 60W A bulb (not included)
 Mounting: wall mount

Packaging
 Colour box: 11.82" x 10.63" x 9.06" (300 x 270 x 230mm)
 Colour box weight: 3.31 lbs (1.50 kgs)
 Master box: 22.05" x 12.21" x 18.90" (560 x 310 x 480mm)
 Pieces per master: 4
 Master box weight: 15.43 lbs (7.00 kgs)

Warranty & Safety Standards
 Warranty - one year
 cCSAus
 Suitable for wet locations



Prepared for
LISBON

Contact

Date
 2022.06.01 - AJH

Presented by

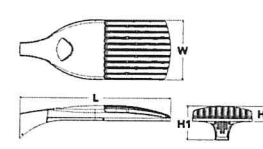
Remarks
 S1

WARNING: The use of this product can expose you to chemicals including Cadmium, which is known to the State of California to cause cancer, and lead, which is known to the State of California to cause birth defects and/or other reproductive harm. For more information go to www.cdph.ca.gov

D-Series Size 1 LED Area Luminaire

Specifications

EPA: 1.01 ft² (0.09 m²)
 Length: 33" (838 mm)
 Width: 13" (330 mm)
 Height H1: 7-1/2" (190 mm)
 Height H2: 3-1/2" (91 mm)
 Weight (max): 27 lbs (12 kg)



Ordering Information EXAMPLE: DSX1 LED P7 40K T3M MVOLT SPA NLTAIR2 PIRHN DDBXD

Series	LED	Light temperature	Description	Height	Mounting
DSX1	LED	30K 3000K	T15 Type I short (40mm)	195"	Type I very short ¹
		P2 P1	T25 Type II short	200"	200"
		P3 P6	T24 Type II medium	207"	207"
		P4	T25 Type II short	208"	208"
		P5	T24 Type II medium	207"	207"
		P6	T25 Type II short	208"	208"
		P7	T24 Type II medium	207"	207"
		P8	T25 Type II short	208"	208"
		P9	T24 Type II medium	207"	207"
		P10	T25 Type II short	208"	208"
		P11	T24 Type II medium	207"	207"
		P12	T25 Type II short	208"	208"
		P13	T24 Type II medium	207"	207"
		P14	T25 Type II short	208"	208"
		P15	T24 Type II medium	207"	207"
		P16	T25 Type II short	208"	208"
		P17	T24 Type II medium	207"	207"
		P18	T25 Type II short	208"	208"
		P19	T24 Type II medium	207"	207"
		P20	T25 Type II short	208"	208"
		P21	T24 Type II medium	207"	207"
		P22	T25 Type II short	208"	208"
		P23	T24 Type II medium	207"	207"
		P24	T25 Type II short	208"	208"
		P25	T24 Type II medium	207"	207"
		P26	T25 Type II short	208"	208"
		P27	T24 Type II medium	207"	207"
		P28	T25 Type II short	208"	208"
		P29	T24 Type II medium	207"	207"
		P30	T25 Type II short	208"	208"
		P31	T24 Type II medium	207"	207"
		P32	T25 Type II short	208"	208"
		P33	T24 Type II medium	207"	207"
		P34	T25 Type II short	208"	208"
		P35	T24 Type II medium	207"	207"
		P36	T25 Type II short	208"	208"
		P37	T24 Type II medium	207"	207"
		P38	T25 Type II short	208"	208"
		P39	T24 Type II medium	207"	207"
		P40	T25 Type II short	208"	208"
		P41	T24 Type II medium	207"	207"
		P42	T25 Type II short	208"	208"
		P43	T24 Type II medium	207"	207"
		P44	T25 Type II short	208"	208"
		P45	T24 Type II medium	207"	207"
		P46	T25 Type II short	208"	208"
		P47	T24 Type II medium	207"	207"
		P48	T25 Type II short	208"	208"
		P49	T24 Type II medium	207"	207"
		P50	T25 Type II short	208"	208"
		P51	T24 Type II medium	207"	207"
		P52	T25 Type II short	208"	208"
		P53	T24 Type II medium	207"	207"
		P54	T25 Type II short	208"	208"
		P55	T24 Type II medium	207"	207"
		P56	T25 Type II short	208"	208"
		P57	T24 Type II medium	207"	207"
		P58	T25 Type II short	208"	208"
		P59	T24 Type II medium	207"	207"
		P60	T25 Type II short	208"	208"
		P61	T24 Type II medium	207"	207"
		P62	T25 Type II short	208"	208"
		P63	T24 Type II medium	207"	207"
		P64	T25 Type II short	208"	208"
		P65	T24 Type II medium	207"	207"
		P66	T25 Type II short	208"	208"
		P67	T24 Type II medium	207"	207"
		P68	T25 Type II short	208"	208"
		P69	T24 Type II medium	207"	207"
		P70	T25 Type II short	208"	208"
		P71	T24 Type II medium	207"	207"
		P72	T25 Type II short	208"	208"
		P73	T24 Type II medium	207"	207"
		P74	T25 Type II short	208"	208"
		P75	T24 Type II medium	207"	207"
		P76	T25 Type II short	208"	208"
		P77	T24 Type II medium	207"	207"
		P78	T25 Type II short	208"	208"
		P79	T24 Type II medium	207"	207"
		P80	T25 Type II short	208"	208"
		P81	T24 Type II medium	207"	207"
		P82	T25 Type II short	208"	208"
		P83	T24 Type II medium	207"	207"
		P84	T25 Type II short	208"	208"
		P85	T24 Type II medium	207"	207"
		P86	T25 Type II short	208"	208"
		P87	T24 Type II medium	207"	207"
		P88	T25 Type II short	208"	208"
		P89	T24 Type II medium	207"	207"
		P90	T25 Type II short	208"	208"
		P91	T24 Type II medium	207"	207"
		P92	T25 Type II short	208"	208"
		P93	T24 Type II medium	207"	207"
		P94	T25 Type II short	208"	208"
		P95	T24 Type II medium	207"	207"
		P96	T25 Type II short	208"	208"
		P97	T24 Type II medium	207"	207"
		P98	T25 Type II short	208"	208"
		P99	T24 Type II medium	207"	207"
		P100	T25 Type II short	208"	208"

Shipped installed
 NEAR2: rlygt AR generation 2 enabled³
 PIR: Network, high/low ambient sensor⁴
 PIR2: Network, high/low ambient sensor⁴
 PIR3: Network, high/low ambient sensor⁴
 PIR4: Network, high/low ambient sensor⁴
 PIR5: Network, high/low ambient sensor⁴
 PIR6: Network, high/low ambient sensor⁴
 PIR7: Network, high/low ambient sensor⁴
 PIR8: Network, high/low ambient sensor⁴
 PIR9: Network, high/low ambient sensor⁴
 PIR10: Network, high/low ambient sensor⁴
 PIR11: Network, high/low ambient sensor⁴
 PIR12: Network, high/low ambient sensor⁴
 PIR13: Network, high/low ambient sensor⁴
 PIR14: Network, high/low ambient sensor⁴
 PIR15: Network, high/low ambient sensor⁴
 PIR16: Network, high/low ambient sensor⁴
 PIR17: Network, high/low ambient sensor⁴
 PIR18: Network, high/low ambient sensor⁴
 PIR19: Network, high/low ambient sensor⁴
 PIR20: Network, high/low ambient sensor⁴
 PIR21: Network, high/low ambient sensor⁴
 PIR22: Network, high/low ambient sensor⁴
 PIR23: Network, high/low ambient sensor⁴
 PIR24: Network, high/low ambient sensor⁴
 PIR25: Network, high/low ambient sensor⁴
 PIR26: Network, high/low ambient sensor⁴
 PIR27: Network, high/low ambient sensor⁴
 PIR28: Network, high/low ambient sensor⁴
 PIR29: Network, high/low ambient sensor⁴
 PIR30: Network, high/low ambient sensor⁴
 PIR31: Network, high/low ambient sensor⁴
 PIR32: Network, high/low ambient sensor⁴
 PIR33: Network, high/low ambient sensor⁴
 PIR34: Network, high/low ambient sensor⁴
 PIR35: Network, high/low ambient sensor⁴
 PIR36: Network, high/low ambient sensor⁴
 PIR37: Network, high/low ambient sensor⁴
 PIR38: Network, high/low ambient sensor⁴
 PIR39: Network, high/low ambient sensor⁴
 PIR40: Network, high/low ambient sensor⁴
 PIR41: Network, high/low ambient sensor⁴
 PIR42: Network, high/low ambient sensor⁴
 PIR43: Network, high/low ambient sensor⁴
 PIR44: Network, high/low ambient sensor⁴
 PIR45: Network, high/low ambient sensor⁴
 PIR46: Network, high/low ambient sensor⁴
 PIR47: Network, high/low ambient sensor⁴
 PIR48: Network, high/low ambient sensor⁴
 PIR49: Network, high/low ambient sensor⁴
 PIR50: Network, high/low ambient sensor⁴
 PIR51: Network, high/low ambient sensor⁴
 PIR52: Network, high/low ambient sensor⁴
 PIR53: Network, high/low ambient sensor⁴
 PIR54: Network, high/low ambient sensor⁴
 PIR55: Network, high/low ambient sensor⁴
 PIR56: Network, high/low ambient sensor⁴
 PIR57: Network, high/low ambient sensor⁴
 PIR58: Network, high/low ambient sensor⁴
 PIR59: Network, high/low ambient sensor⁴
 PIR60: Network, high/low ambient sensor⁴
 PIR61: Network, high/low ambient sensor⁴
 PIR62: Network, high/low ambient sensor⁴
 PIR63: Network, high/low ambient sensor⁴
 PIR64: Network, high/low ambient sensor⁴
 PIR65: Network, high/low ambient sensor⁴
 PIR66: Network, high/low ambient sensor⁴
 PIR67: Network, high/low ambient sensor⁴
 PIR68: Network, high/low ambient sensor⁴
 PIR69: Network, high/low ambient sensor⁴
 PIR70: Network, high/low ambient sensor⁴
 PIR71: Network, high/low ambient sensor⁴
 PIR72: Network, high/low ambient sensor⁴
 PIR73: Network, high/low ambient sensor⁴
 PIR74: Network, high/low ambient sensor⁴
 PIR75: Network, high/low ambient sensor⁴
 PIR76: Network, high/low ambient sensor⁴
 PIR77: Network, high/low ambient sensor⁴
 PIR78: Network, high/low ambient sensor⁴
 PIR79: Network, high/low ambient sensor⁴
 PIR80: Network, high/low ambient sensor⁴
 PIR81: Network, high/low ambient sensor⁴
 PIR82: Network, high/low ambient sensor⁴
 PIR83: Network, high/low ambient sensor⁴
 PIR84: Network, high/low ambient sensor⁴
 PIR85: Network, high/low ambient sensor⁴
 PIR86: Network, high/low ambient sensor⁴
 PIR87: Network, high/low ambient sensor⁴
 PIR88: Network, high/low ambient sensor⁴
 PIR89: Network, high/low ambient sensor⁴
 PIR90: Network, high/low ambient sensor⁴
 PIR91: Network, high/low ambient sensor⁴
 PIR92: Network, high/low ambient sensor⁴
 PIR93: Network, high/low ambient sensor⁴
 PIR94: Network, high/low ambient sensor⁴
 PIR95: Network, high/low ambient sensor⁴
 PIR96: Network, high/low ambient sensor⁴
 PIR97: Network, high/low ambient sensor⁴
 PIR98: Network, high/low ambient sensor⁴
 PIR99: Network, high/low ambient sensor⁴
 PIR100: Network, high/low ambient sensor⁴

Shipped separately
 BAA: Buy American/US Act Compliant
 BS: Ball light⁵
 EGS: External glare shield

Shipped included
 3005D: Dark bronze
 3005B: Black
 3005A: Natural aluminum
 3005C: White
 3005E: Natural dark bronze
 3005F: Natural light bronze
 3005G: Natural black
 3005H: Natural natural aluminum
 3005I: Natural white

Shipped separately
 3005J: Natural dark bronze
 3005K: Natural light bronze
 3005L: Natural black
 3005M: Natural natural aluminum
 3005N: Natural white

Shipped included
 3005O: Natural dark bronze
 3005P: Natural light bronze
 3005Q: Natural black
 3005R: Natural natural aluminum
 3005S: Natural white

Shipped separately
 3005T: Natural dark bronze
 3005U: Natural light bronze
 3005V: Natural black
 3005W: Natural natural aluminum
 3005X: Natural white

Shipped included
 3005Y: Natural dark bronze
 3005Z: Natural light bronze
 3005AA: Natural black
 3005AB: Natural natural aluminum
 3005AC: Natural white

Shipped separately
 3005AD: Natural dark bronze
 3005AE: Natural light bronze
 3005AF: Natural black
 3005AG: Natural natural aluminum
 3005AH: Natural white

Shipped included
 3005AI: Natural dark bronze
 3005AJ: Natural light bronze
 3005AK: Natural black
 3005AL: Natural natural aluminum
 3005AM: Natural white

Shipped separately
 3005AN: Natural dark bronze
 3005AO: Natural light bronze
 3005AP: Natural black
 3005AQ: Natural natural aluminum
 3005AR: Natural white

Shipped included
 3005AS: Natural dark bronze
 3005AT: Natural light bronze
 3005AU: Natural black
 3005AV: Natural natural aluminum
 3005AW: Natural white

Shipped separately
 3005AX: Natural dark bronze
 3005AY: Natural light bronze
 3005AZ: Natural black
 3005BA: Natural natural aluminum
 3005BB: Natural white

Shipped included
 3005BC: Natural dark bronze
 3005BD: Natural light bronze
 3005BE: Natural black
 3005BF: Natural natural aluminum
 3005BG: Natural white

Shipped separately
 3005BH: Natural dark bronze
 3005BI: Natural light bronze
 3005BJ: Natural black
 3005BK: Natural natural aluminum
 3005BL: Natural white

Shipped included
 3005BM: Natural dark bronze
 3005BN: Natural light bronze
 3005BO: Natural black
 3005BP: Natural natural aluminum
 3005BQ: Natural white

Shipped separately
 3005BR: Natural dark bronze
 3005BS: Natural light bronze
 3005BT: Natural black
 3005BU: Natural natural aluminum
 3005BV: Natural white

Shipped included
 3005BW: Natural dark bronze
 3005BX: Natural light bronze
 3005BY: Natural black
 3005BZ: Natural natural aluminum
 3005CA: Natural white

Shipped separately
 3005CB: Natural dark bronze
 3005CC: Natural light bronze
 3005CD: Natural black
 3005CE: Natural natural aluminum
 3005CF: Natural white

Shipped included
 3005CG: Natural dark bronze
 3005CH: Natural light bronze
 3005CI: Natural black
 3005CJ: Natural natural aluminum
 3005CK: Natural white

Shipped separately
 3005CL: Natural dark bronze
 3005CM: Natural light bronze
 3005CN: Natural black
 3005CO: Natural natural aluminum
 3005CP: Natural white

Shipped included
 3005CQ: Natural dark bronze
 3005CR: Natural light bronze
 3005CS: Natural black
 3005CT: Natural natural aluminum
 3005CU: Natural white

Shipped separately
 3005CV: Natural dark bronze
 3005CW: Natural light bronze
 3005CX: Natural black
 3005CY: Natural natural aluminum
 3005CZ: Natural white

Shipped included
 3005DA: Natural dark bronze
 3005DB: Natural light bronze
 3005DC: Natural black
 3005DD: Natural natural aluminum
 3005DE: Natural white

Shipped separately
 3005DF: Natural dark bronze
 3005DG: Natural light bronze
 3005DH: Natural black
 3005DI: Natural natural aluminum
 3005DJ: Natural white

Shipped included
 3005DK: Natural dark bronze
 3005DL: Natural light bronze
 3005DM: Natural black
 3005DN: Natural natural aluminum
 3005DO: Natural white

Shipped separately
 3005DP: Natural dark bronze
 3005DQ: Natural light bronze
 3005DR: Natural black
 3005DS: Natural natural aluminum
 3005DT: Natural white

Shipped included
 3005DU: Natural dark bronze
 3005DV: Natural light bronze
 3005DV: Natural black
 3005DW: Natural natural aluminum
 3005DX: Natural white

Shipped separately
 3005DY: Natural dark bronze
 3005DZ: Natural light bronze
 3005E0: Natural black
 3005E1: Natural natural aluminum
 3005E2: Natural white

Shipped included
 3005E3: Natural dark bronze
 3005E4: Natural light bronze
 3005E5: Natural black
 3005E6: Natural natural aluminum
 3005E7: Natural white

Shipped separately
 3005E8: Natural dark bronze
 3005E9: Natural light bronze
 3005EA: Natural black
 3005EB: Natural natural aluminum
 3005EC: Natural white

Shipped included
 3005ED: Natural dark bronze
 3005EE: Natural light bronze
 3005EF: Natural black
 3005EF: Natural natural aluminum
 3005EG: Natural white

Shipped separately
 3005EH: Natural dark bronze
 3005EI: Natural light bronze
 3005EI: Natural black
 3005EJ: Natural natural aluminum
 3005EK: Natural white

Shipped included
 3005EL: Natural dark bronze
 3005EM: Natural light bronze
 3005EM: Natural black
 3005EN: Natural natural aluminum
 3005EO: Natural white

Shipped separately
 3005EP: Natural dark bronze
 3005EQ: Natural light bronze
 3005EQ: Natural black
 3005ER: Natural natural aluminum
 3005ES: Natural white

Shipped included
 3005ET: Natural dark bronze
 3005EU: Natural light bronze
 3005EU: Natural black
 3005EV: Natural natural aluminum
 3005EW: Natural white

Shipped separately
 3005EX: Natural dark bronze
 3005EX: Natural light bronze
 3005EX: Natural black
 3005EY: Natural natural aluminum
 3005EZ: Natural white

Shipped included
 3005FA: Natural dark bronze
 3005FA: Natural light bronze
 3005FA: Natural black
 3005FB: Natural natural aluminum
 3005FC: Natural white

Shipped separately
 3005FD: Natural dark bronze
 3005FD: Natural light bronze
 3005FD: Natural black
 3005FE: Natural natural aluminum
 3005FF: Natural white

Shipped included
 3005FG: Natural dark bronze
 3005FG: Natural light bronze
 3005FG: Natural black
 3005FH: Natural natural aluminum
 3005FI: Natural white

Shipped separately
 3005FJ: Natural dark bronze
 3005FJ: Natural light bronze
 3005FJ: Natural black
 3005FK: Natural natural aluminum
 3005FL: Natural white

Shipped included
 3005FM: Natural dark bronze
 3005FM: Natural light bronze
 3005FM: Natural black
 3005FN: Natural natural aluminum
 3005FO: Natural white

Shipped separately
 3005FP: Natural dark bronze
 3005FP: Natural light bronze
 3005FP: Natural black
 3005FQ: Natural natural aluminum
 3005FR: Natural white

Shipped included
 3005FS: Natural dark bronze
 3005FS: Natural light bronze
 3005FS: Natural black
 3005FT: Natural natural aluminum
 3005FU: Natural white

Shipped separately